

THIS DRAWING IS UNPUBLISHED.

RELEASED FOR PUBLICATION

ALL RIGHTS RESERVED.

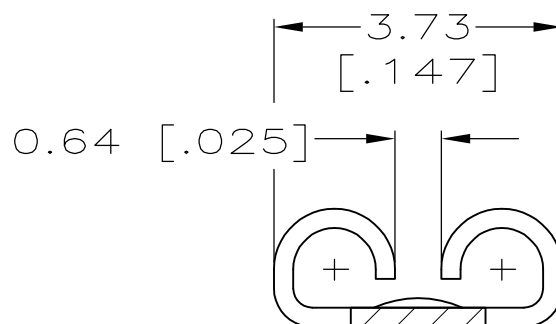
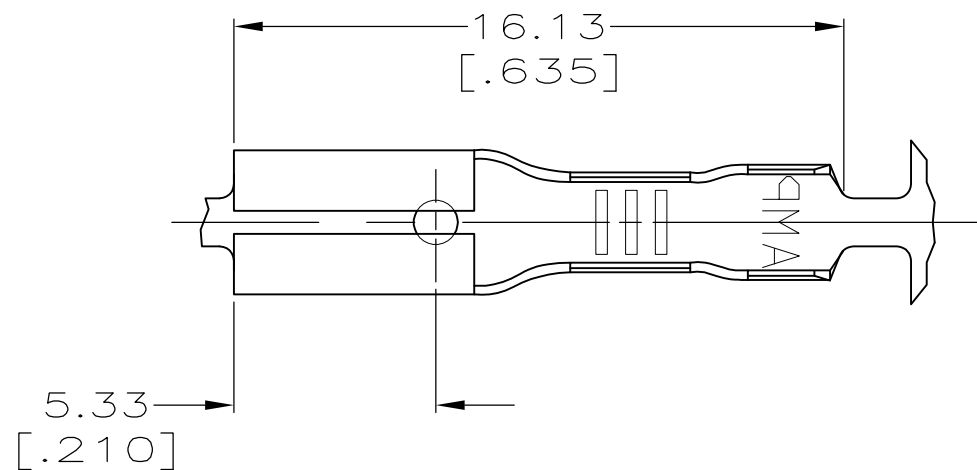
© COPYRIGHT - By -

LOC AF DIST 50

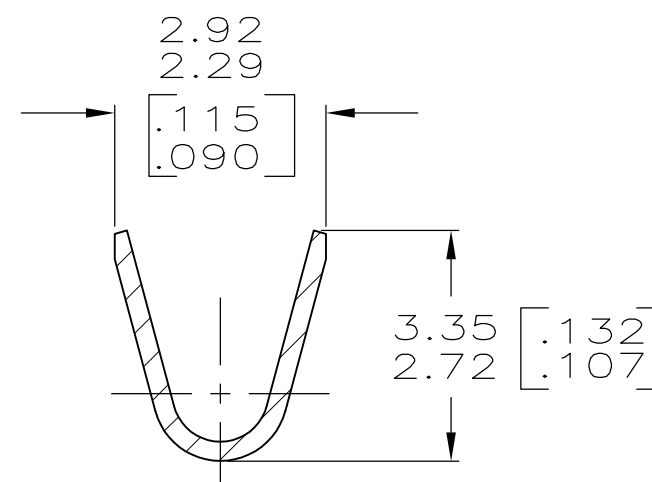
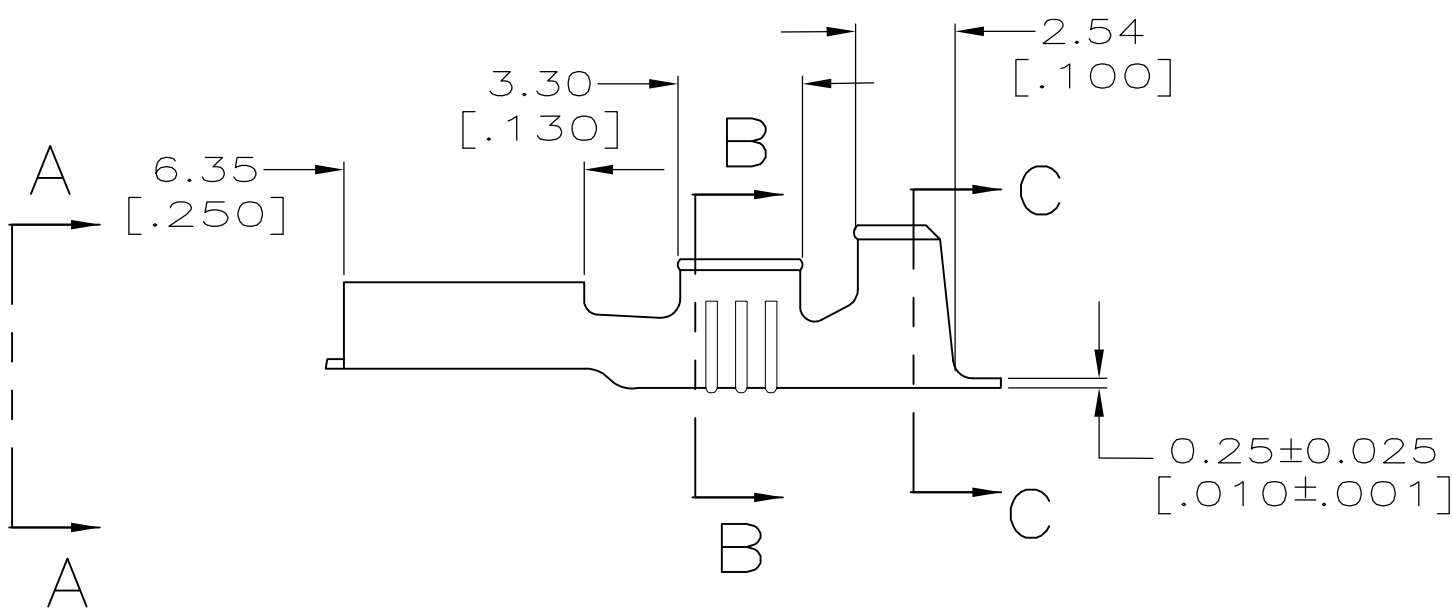
REVISIONS

P	LTR	DESCRIPTION	DATE	DWN	APVD
	C	REVISED PER ECR-12-013459	28NOV2012	KH	PD

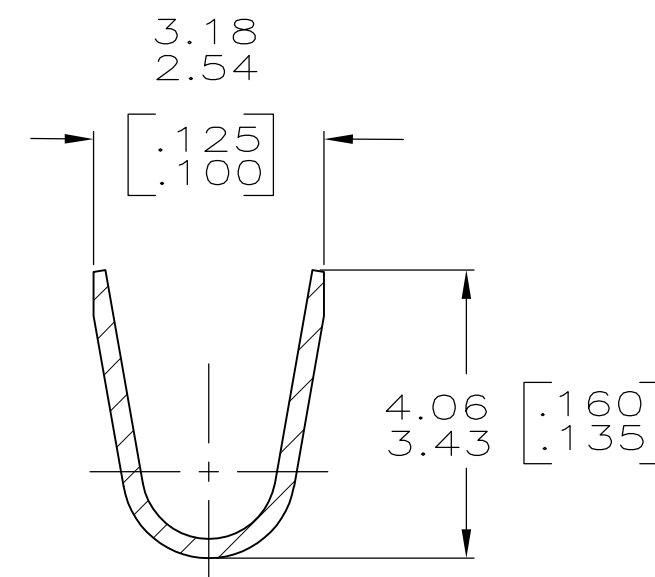
- 1 CONTINUOUS STRIP ON REELS.
- 2 WIRE SIZE [#20-#16] AWG.
- 3 INSULATION RANGE 1.52-2.54 [.060-.100] DIA.
- 4 MATING TAB THK  $0.51 \pm 0.025$  [.020±.001].



VIEW A-A  
SCALE 10:1




SECTION B-B  
SCALE 10:1



SECTION C-C  
SCALE 10:1

61408-1

PART NO.

THIS DRAWING IS A CONTROLLED DOCUMENT.		DWN JR RUTH 2/7/96	 <b>TE Connectivity</b> NAME RECEPTACLE, FASTON, 2.79 [.110] SERIES			
DIMENSIONS: mm [INCHES]		CHK MS FEHER 2/7/96				
TOLERANCES UNLESS OTHERWISE SPECIFIED:		APVD P DESANTIS 2/7/96				
0 PLC ± - 1 PLC ± - 2 PLC ± 0.38 [.015] 3 PLC ± - 4 PLC ± - ANGLES ± -		PRODUCT SPEC -				
MATERIAL BRASS	FINISH PRE-TIN	APPLICATION SPEC -	SIZE A3	CAGE CODE 00779	DRAWING NO C-61408	RESTRICTED TO -
CUSTOMER DRAWING			SCALE 5:1	SHEET 1 OF 1	REV C	